

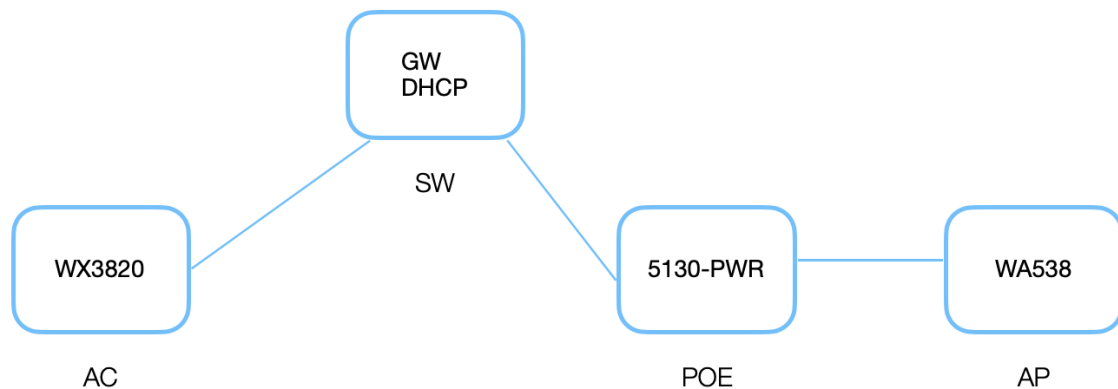
The H3C logo is centered within a white circle, which is itself centered on a red rectangular background.

WLAN ローカルポータル認証設定例 (GUI)

構成

AC+FIT AP 集中型転送

トポロジー



認証用ドメインを作成し、認証方式をローカルに指定

The screenshot shows the H3C WX3820H dashboard. The top navigation bar includes 'Save', 'Roadmap', and 'admin' user. The left sidebar lists various configuration options, with 'Network Security' and 'Authentication' highlighted. The main content area displays 'System Logs' with a summary of 0 Emergency, 2 Critical, 21 Warning, and 120 Informational events. Below this are four panels: 'APs' showing 3 devices, 'System usage' showing 2% CPU and 33% Memory, 'Wireless services' showing SSID 'h3c', and 'Clients' showing 0 clients. The bottom status bar shows 'Access Points: 3', 'Clients: 0', and 'Event Logs: 21'.

The screenshot shows the 'ISP Domains' configuration page under 'Authentication'. The page title is 'ISP Domain'. There are two entries in the table:

Domain	State	Actions
<input type="checkbox"/> portalabledomain	Active	[Edit] [Delete]
<input type="checkbox"/> system	Active	[Edit] [Delete]

At the bottom, it says 'Total 2 entries, 2 matched, 0 selected. Page 1 / 1.' There is a 'Delete' button. The bottom status bar shows 'Access Points: 3', 'Clients: 0', and 'Event Logs: 21'.

H3C WX3820H Save Roadmap admin

All Networks > Network Security > Authentication > ISP Domains > Edit ISP Domain

Domain: portalenabledomain (1-255 chars)

State: Active

Service type: Login LAN access Portal

AAA for portal users

Authentication: RADIUS Local None

Authorization: RADIUS Local None

Accounting: RADIUS Local None

Show advanced settings

Apply Cancel

System View Network View

Access Points: 3 0 0 Clients: 0 Event Logs: 2 21 120

DNS サーバまでの free-rule を追加

H3C WX3820H Save Roadmap admin

All Networks > Network Security > Access Control > Portal

MAC Authentication Port Security Portal

Portal authentication server >

Portal Web server >

Local portal Web server >

Portal-free rule >

Interface policy >

Online users >

Portal DHCP packet capture OFF

Access Control

System View Network View

Access Points: 3 0 0 Clients: 0 Event Logs: 2 21 120

https://192.168.100.88/wmm/frame/index.php?sessionId=20000154331c81be72be1b84f57c679...

H3C WX3820H

Save Roadmap admin

Quick Start > All Networks > Network Security > Access Control > Portal

Monitoring >

Wireless Configuration >

Network Security >

Packet Filter

Traffic Policy

Access Control

Authentication

BYOD

User Management

Guest Management

Access Control

System >

Tools >

Rule ID	Interface	Main Feature	Description	Actions
0	All	IP-based		

Total 7 entries, 7 matched. Page 1 / 1.

System View Network View

Access Points 3 0 0 0 Clients 0 Event Logs 0 2 21 120

H3C WX3820H

Save Roadmap admin

Quick Start > All Networks > Network Security > Access Control > Portal > Show Portal-Free Rule

Monitoring >

Wireless Configuration >

Network Security >

Packet Filter

Traffic Policy

Access Control

Authentication

BYOD

User Management

Guest Management

Access Control

System >

Tools >

Rule ID * 0 (0-4294967295)

Description (1-255 chars)

IP-based

Source IP

Destination IP

IPv4 IPv6 Any IPv4 Any IPv6

8.8.8.8 / 32 (Example:192.168.0.1/16)

TCP port

UDP port

Source-based

Apply Cancel

DNSサーバのIPアドレスを記入

System View Network View

Access Points 3 0 0 0 Clients 0 Event Logs 0 2 21 120

Portal Webサーバ設定を投入

H3C WX3820H Save Roadmap admin

Quick Start > All Networks > Network Security > Access Control > Portal

MAC Authentication Port Security **Portal**

Portal

Portal authentication, also called Web authentication, controls user access to networks by authenticating the username and password entered on a portal authentication page.

- Portal authentication server >
- Portal Web server >
- Local portal Web server ⚠ >
- Portal-free rule ⚠ >
- Interface policy >
- Online users >
- Portal DHCP packet capture OFF

System View **Network View**

Access Points: 3 0 0 0 Clients: 0 0 0 Event Logs: 0 2 21 120

H3C WX3820H Save Roadmap admin

Quick Start > All Networks > Network Security > Access Control > Portal

Monitoring > Wireless Configuration > **Network Security** > Access Control

Search

Server Name	URL	Status(IPv4)	Status(IPv6)	Actions
PortalEnableWebSrv	http://192.168.100.88/portal	Reachable	--	

Total 7 entries, 7 matched. Page 1 / 1.

System View **Network View**

Access Points: 3 0 0 0 Clients: 0 0 0 Event Logs: 0 2 21 120

H3C WX3820H Save Roadmap admin

All Networks > Network Security > Access Control > Portal > Edit Portal Web Server

Server name * PortalEnableWebSrv (1-32 chars)

URL http://192.168.100.88/portal (1-256 chars)

VRF IPアドレスをACのIPアドレスに変更 (1-31 chars)

URL parameters

Parameter name (1-32 chars)

User IP Address User MAC Address Original URL Self-defined

Add

Type	ParamName	Value
------	-----------	-------

Server detection Enable Disable

Apply Cancel

System View Network View

Access Points: 3 0 0 0 Clients: 0 Event Logs: 0 2 21 120

ポータルユーザを作成

H3C WX3820H Save Roadmap admin

All Networks > Network Security > User Management > Local Users

Local Users

Local Users Users User groups

For the device to act as an AAA server to perform local authentication, authorization, and accounting, you must configure user settings on the device.

Search

User Name	Description	Authorization User Group	Service Types	Actions
portal		system	Portal	

Total 1 entries, 1 matched. Page 1 / 1.

System View Network View

Access Points: 3 0 0 0 Clients: 0 Event Logs: 0 2 21 120

H3C WX3820H Save Roadmap admin

Quick Start > All Networks > Network Security > User Management > Local Users > Edit User

Monitoring > User name * portal (1-55 chars)

Wireless Configuration > Password (1-63 chars)

Network Security > Confirm password (1-63 chars)

Packet Filter description (1-127 chars)

Traffic Policy

Access Control Authorization user group system

Authentication Service types ADVPN IKE IPoE LAN access Portal PPP SSL VPN

BYOD Max concurrent logins (1-1024)

User Management Authorization attributes

- Authorization ACL (2000-4999)
- Idle timeout (minutes (1-120))
- Authorization VLAN (1-4094)

System View Network View

Access Points 3 0 0 0 Clients 0 Event Logs 0 2 21 120

H3C WX3820H Save Roadmap admin

Quick Start > All Networks > Network Security > User Management > Local Users > Edit User

Monitoring > minutes (1-120)

Wireless Configuration >

Network Security >

Packet Filter

Traffic Policy

Access Control

Authentication Authorization VLAN (1-4094)

BYOD

User Management

- SSL VPN policy group (1-31 chars)
- User Access interface (Select...)
- User IPv4 address
- User MAC address (HH-HH-HH-HH-HH-HH)
- VLAN through which the user accesses the device (1-4094)

Binding attributes

Apply Cancel

System View Network View

Access Points 3 0 0 0 Clients 0 Event Logs 0 2 21 120

Web サーバのサービスタイプを指定



H3C WX3820H Save Roadmap admin

Quick Start > All Networks > Network Security > Access Control > Portal

MAC Authentication Port Security **Portal**

Portal

Portal authentication, also called Web authentication, controls user access to networks by authenticating the username and password entered on a portal authentication page.

- Portal authentication server >
- Portal Web server >
- Local portal Web server  >
- Portal-free rule  >
- Interface policy >
- Online users >
- Portal DHCP packet capture OFF

System View **Network View**

Access Points: 3 0 0 0 Clients: 0 Event Logs: 0 2 21 120



URL: https://192.168.100.88/wnm/frame/index.php?sessionId=20000154331c81b4e72be1b84f57c679...

H3C WX3820H Save Roadmap admin

Quick Start > All Networks > Network Security > Access Control > Portal

MAC Authentication Port Security **Portal**

Search

Type	Default logon page	TCP port	Actions
HTTP	defaultfile.zip	80	 

Total 7 entries, 7 matched. Page 1 / 1.

System View **Network View**

Access Points: 3 0 0 0 Clients: 0 Event Logs: 0 2 21 120

H3C WX3820H

Save Roadmap admin

Quick Start > All Networks > Network Security > Access Control > Portal > Edit Local Portal Web Server

Monitoring > **HTTP**

Wireless Configuration >

Network Security >

Packet Filter

Traffic Policy

Access Control

Authentication

BYOD

User Management

Guest Management

Access Control

System >

Tools >

Default logon page **defaultfile.zip**

TCP port 80 (1-65535,80 by default)

Apply Cancel

System View **Network View**

Access Points 3 0 0 0 Clients 0 Event Logs 0 2 21 120

ポータル用 wlan service-template を作成

H3C WX3820H

Save Roadmap admin

Quick Start > All Networks > Wireless Configuration > Wireless Networks > Wireless Networks

Monitoring > **Wireless Networks** Hotspot2.0

Wireless Configuration >

Wireless Networks

AP Management

Wireless QoS

Wireless Security >

Radio Management

Client Proximity Sensor

Applications

Network Security >

System >

Tools >

Reporting >

Refresh Add

Search

Wireless Service Name	SSID	Wireless Service	Forwarding Type	Authentication Mode	Cipher-Suite	Default VLAN	Actions
<input type="checkbox"/> h3c	h3c	ON	Centralized	Portal		1	...

Total 7 entries, 7 matched, 0 selected. Page 1 / 1.

System View **Network View**

Access Points 3 0 0 0 Clients 0 Event Logs 0 2 21 120

H3C WX3820H Save Roadmap admin

All Networks > Wireless Configuration > Wireless Networks > Wireless Networks > Advanced Settings(h3c)

WLAN Authentication Authorization Intrusion Protection Key Management Binding Access control Hotspot2.0

Wireless service name * h3c (1-63 chars) Maximum clients (1-512)

SSID * h3c (1-32 chars) Association location AC AP

Description (1-64 chars) Quick association ON OFF

Fast transition ON OFF

Wireless service ON OFF

Default VLAN 1 (1-4094, 1 by default)

Hide SSID Yes No

User Isolation Yes No

Forwarding type Centralized Local Policy-Based

Apply Cancel

System View **Network View** Access Points 3 0 0 0 Clients 0 0 0 Event Logs 0 2 21 120

H3C WX3820H Save Roadmap admin

All Networks > Wireless Configuration > Wireless Networks > Wireless Networks > Advanced Settings(h3c)

WLAN **Authentication** Authorization Intrusion Protection Key Management Binding Access control Hotspot2.0

Basic settings

Authentication mode Open (no authentication) Static PSK 802.1X 802.1X (clear) Static WEP MAC authentication IPv4 Portal Authentication IPv6 Portal Authentication

Authenticator Local AC Central AC AP

Management Frame Protection ON OFF

IPv4 Portal

Domain name portenabledomain x v

Fail-permit ON OFF

Portal web server * PortalEnableWebSrv x v

Maximum clients 4294967295 (1-4294967295, 4294967295 by default)

BAS-IP (eg:1.1.1.1)

Apply Cancel

System View **Network View** Access Points 3 0 0 0 Clients 0 0 0 Event Logs 0 2 21 120

H3C WX3820H Save Roadmap admin

All Networks > Wireless Configuration > Wireless Networks > Wireless Networks > Advanced Settings(h3c)

WLAN Authentication Authorization Intrusion Protection Key Management **Binding** Access control Hotspot2.0

Bind to APs Candidate Selected

Search for Search for

→ ←

9820-4412-7f60 (Radio1 5G)
 9820-4412-7f60 (Radio2 2.4G)
 f474-880b-5540 (Radio2 5G)
 f474-880b-5540 (Radio3 2.4G)

f474-880b-53c0 (Radio1 5G)
 f474-880b-53c0 (Radio2 5G)
 f474-880b-53c0 (Radio3 2.4G)

Apply Cancel

System View Network View

Access Points 3 0 0 Clients 0 Event Logs 0 2 21 120

https://192.168.100.88/wmm/frame/index.php?sessionId=20000154331c81be72be1b84f57c679...

確認

SSIDに接続すると下記ポータルサイトが表示されます。

H3C WX3820H Save Roadmap admin

All Networks > Monitoring > Clients > Clients

Dashboard Quick Start > **Monitoring** > Wireless Networks > Access Points > **Clients** > Wireless Security > RF Monitoring > Client Proximity Sensor > DPI > Application Monitoring > Wireless Configuration > Network Security >

Clients

Total 1 5GHz 1 2.4GHz 0

By AP

AP Name	Clients(5GHz)	Clients(2.4GHz)
f474-880b-5540	1	0

By SSID

SSID	Clients(5GHz)	Clients(2.4GHz)
h3c	1	0

By Authentication Mode

Open

By radio type

- 802.11a(5GHz)
- 802.11n(5GHz)

System View Network View

Access Points 3 0 0 Clients 1 Event Logs 0 2 21 122